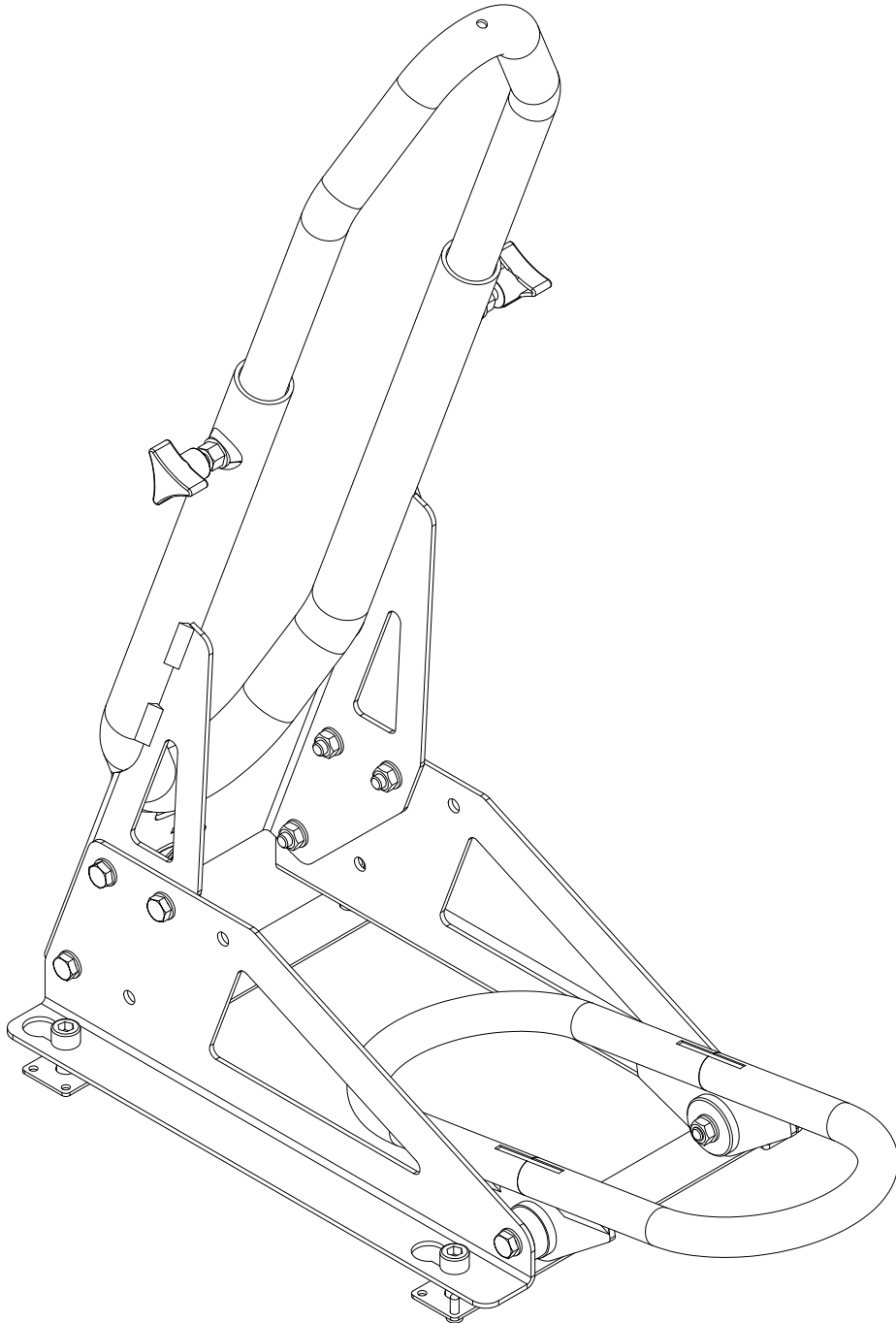


STEADYSTAND[®] Cross

Basic

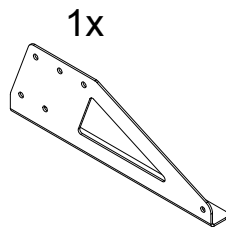
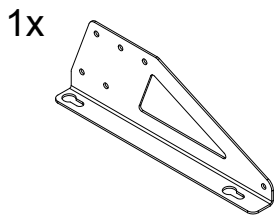
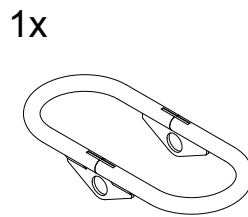
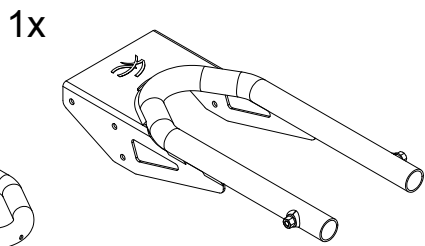
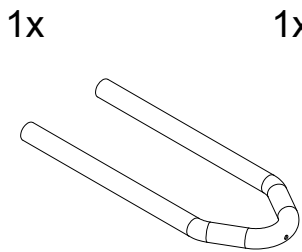
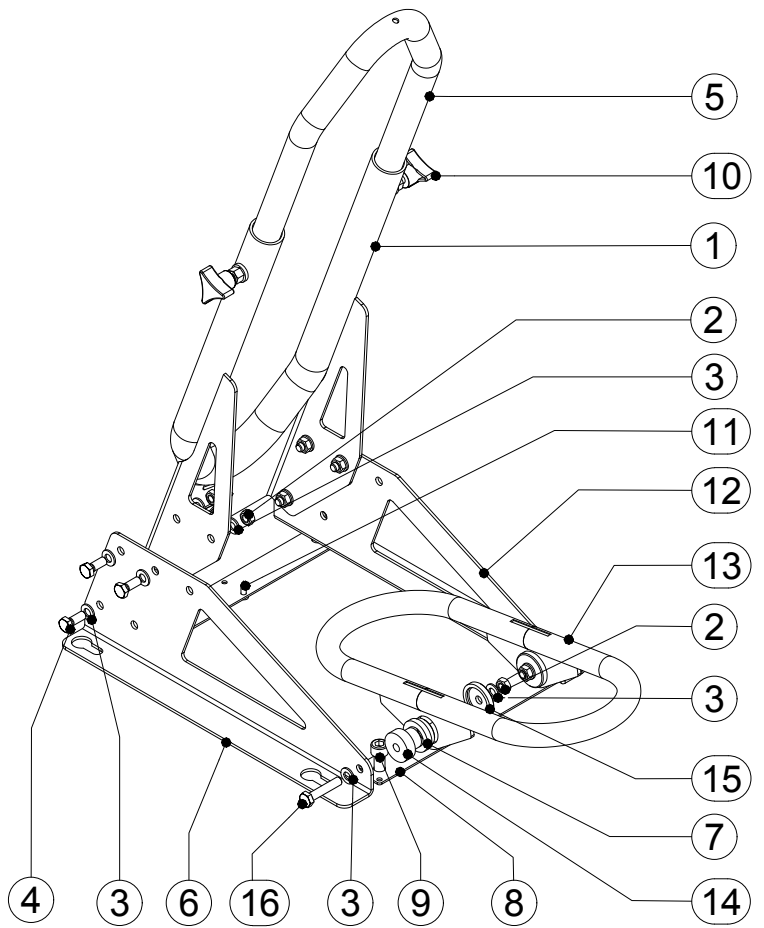


ENG: Please understand, that AceBikes cannot be held responsible for any consequential loss or damage due to an improper assembly or use of the product.

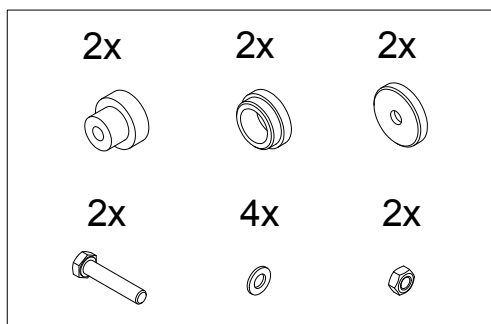
DE: Bitte, haben Sie Verständnis dafür, dass AceBikes keine Haftung für Folgeschaden übernimmt, die durch eine unsachgemäße beziehungsweise mangelhafte Montage entstehen.

FR: Veuillez comprendre que AceBikes ne peut être tenu pour responsable des dommages consécutifs à un montage ou une utilisation incorrecte.

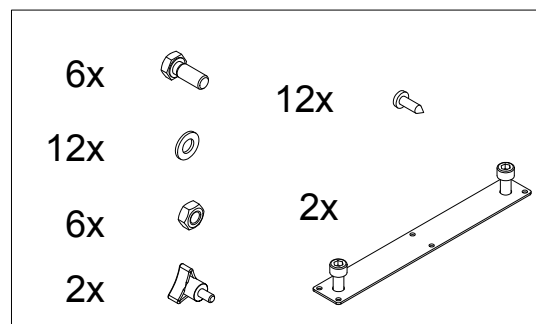
16	2	Bolt M8x40
15	2	Lockplate
14	2	Shaft bearing
13	1	Tube frame bodem
12	1	Sideframe right
11	12	Plywood Screw
10	2	Star knob
9	4	Din 912 M10x30
8	2	Nut plate
7	2	Bearing 20
6	1	Sideframe left
5	1	Front tube 2
4	6	Bolt M8x20
3	16	Washer 8
2	8	Hex Nut M8
1	1	Front tube 1
lte	QTY	Description



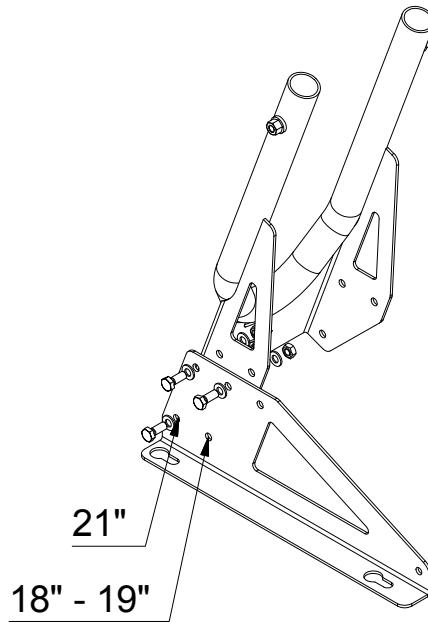
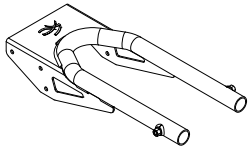
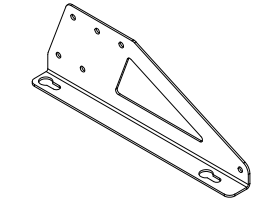
Bag 1



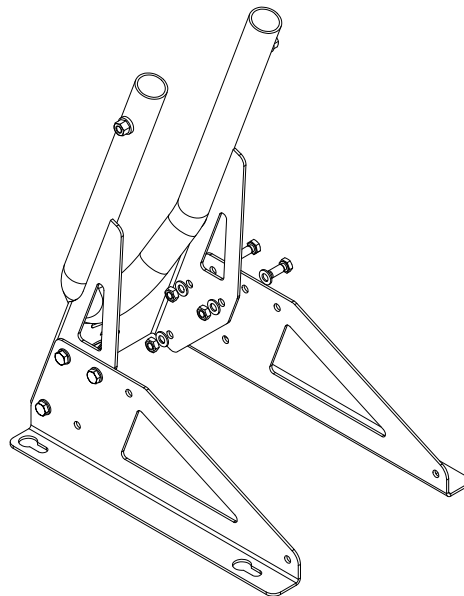
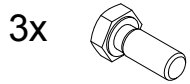
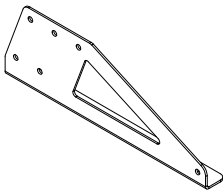
Bag 2



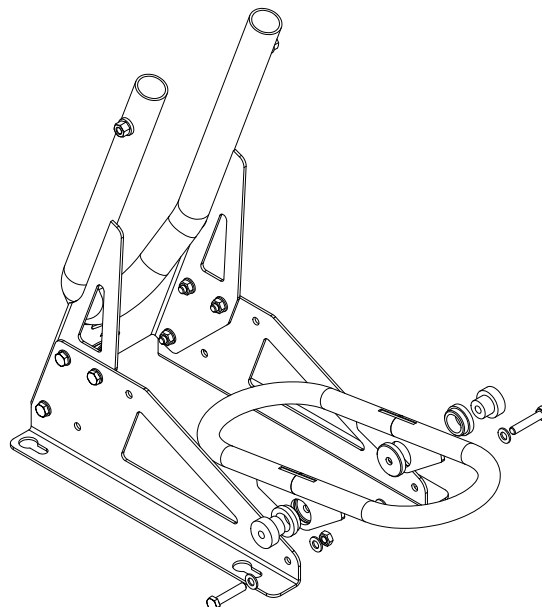
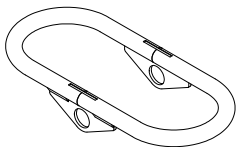
1



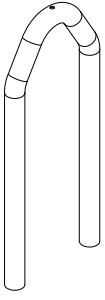
2



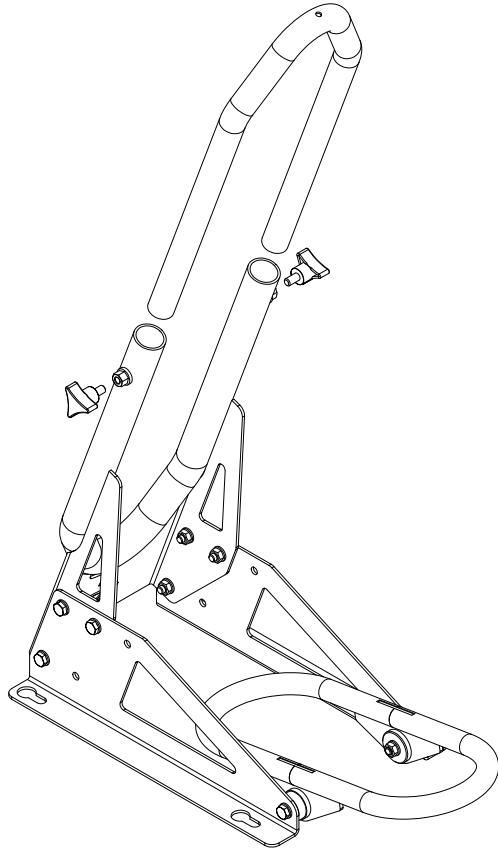
3



4

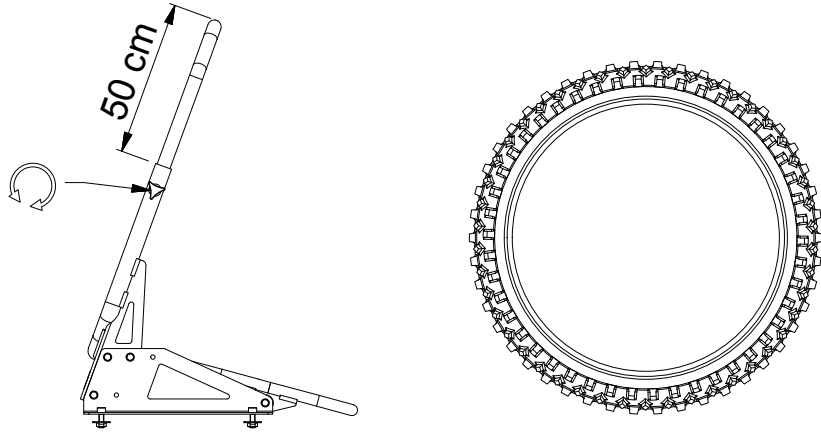


2x

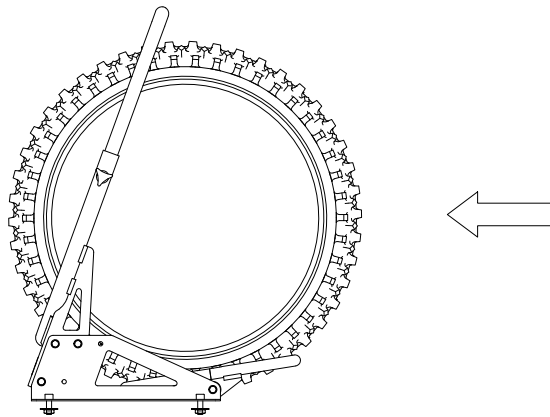


First time adjustment

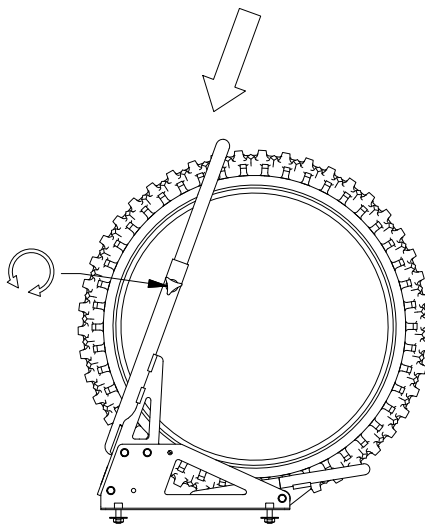
Step 1



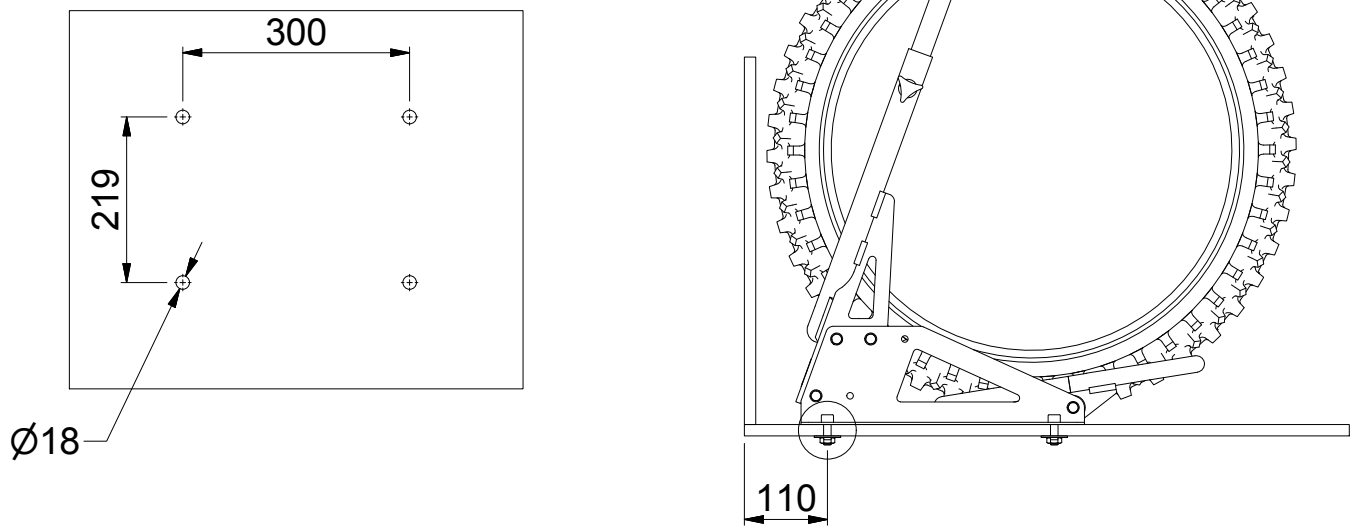
Step 2



Step 3



Mounting instructions Steadystand Cross

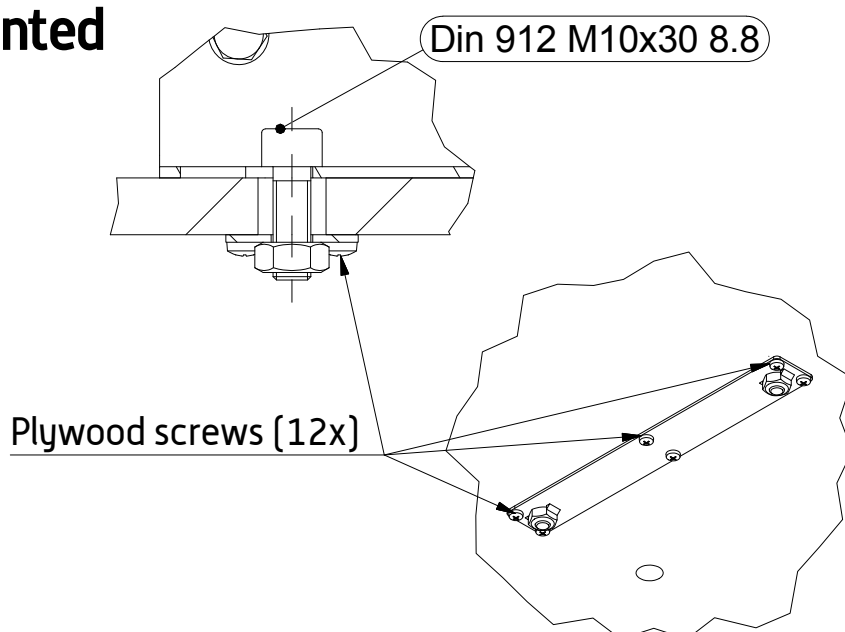


- a - Place the Cross stand on the trailer floor.
- b - Drive your bike in and place the cross stand on right position.
- c - Use the Cross stand for marking the holes. Use position A or B and always C.
- d - Drill 4 holes of 18 mm into the floor.

Note: The required floor panel thickness should be at least 15 mm.
When the floor panel is more than 15 mm thick, use longer bolts.
Always use 8.8 quality bolts.

- e - Mount the Cross stand on the floor with the 2 nut plates.
- f - Make sure that the 4 bolts are in the center of each 18 mm hole.
- h - Fix the nut plate underneath the floor with the 12 plywood screws from bag 2.

Mounted



After removing

