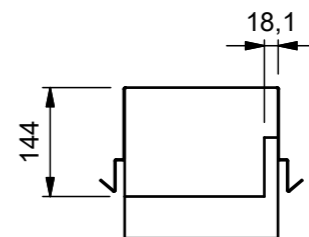
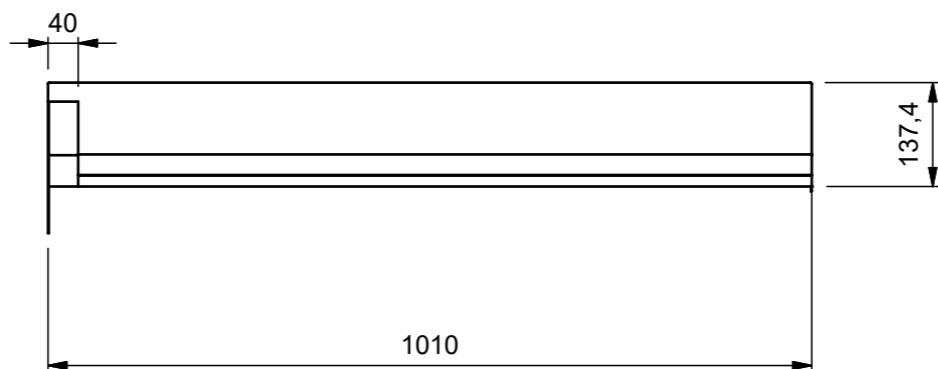
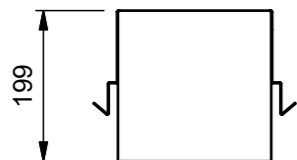
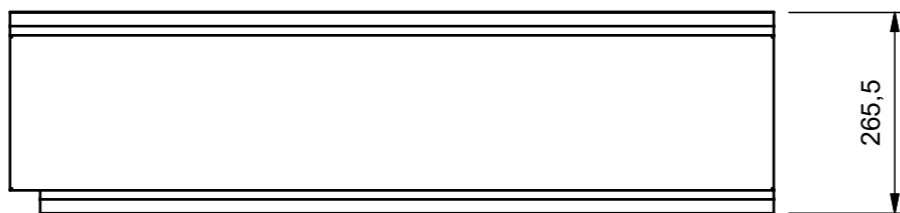
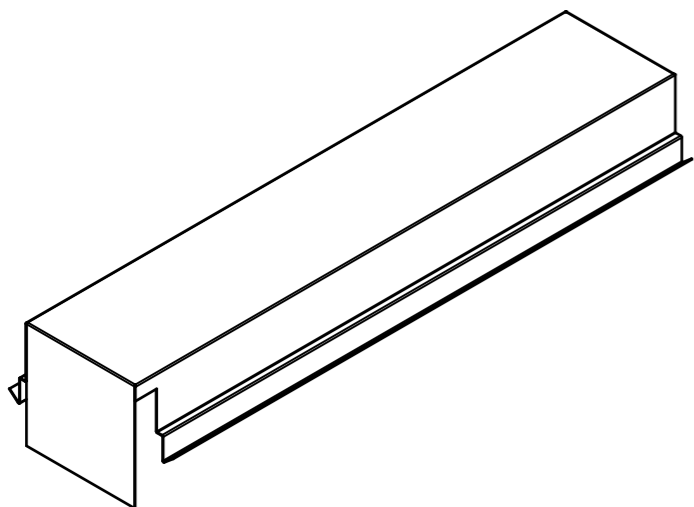


REV	REVISION DATE	REVISION REASON
01		



Third Angle Projection		NEN-EN 10162 Cold Rolled Steel Sections Tolerances on shape and dimensions	ISO 2768-mK General Tolerances for Dimensions and Geometry unless otherwise specified	ISO 14405 Geometrical Product Specifications Dimensional tolerancing	ISO 1461 Specifications for Hot Dip Galvanized Coatings
Eduard		Material : Sendzimir	Mass : 4,80 kg	Units	
		Treatment :	Scale : 1 : 10	mm	
Drawn by : B-J de Voogd		Document : ETF.idw	State: Work in Progress		
Creation date : 26/02/2025		Part number AB-DK-00001			Revision 03
Old Part No :		Part name Deksel Accubak Universeel			Format A3
Eduards Trailer Factory - Antoine César Becquerelstraat 11 - 3920 Lommel België - tel: +32 (0)14820115 - www.aanhangwagens-eduard.be - engineering@eduard.nl					